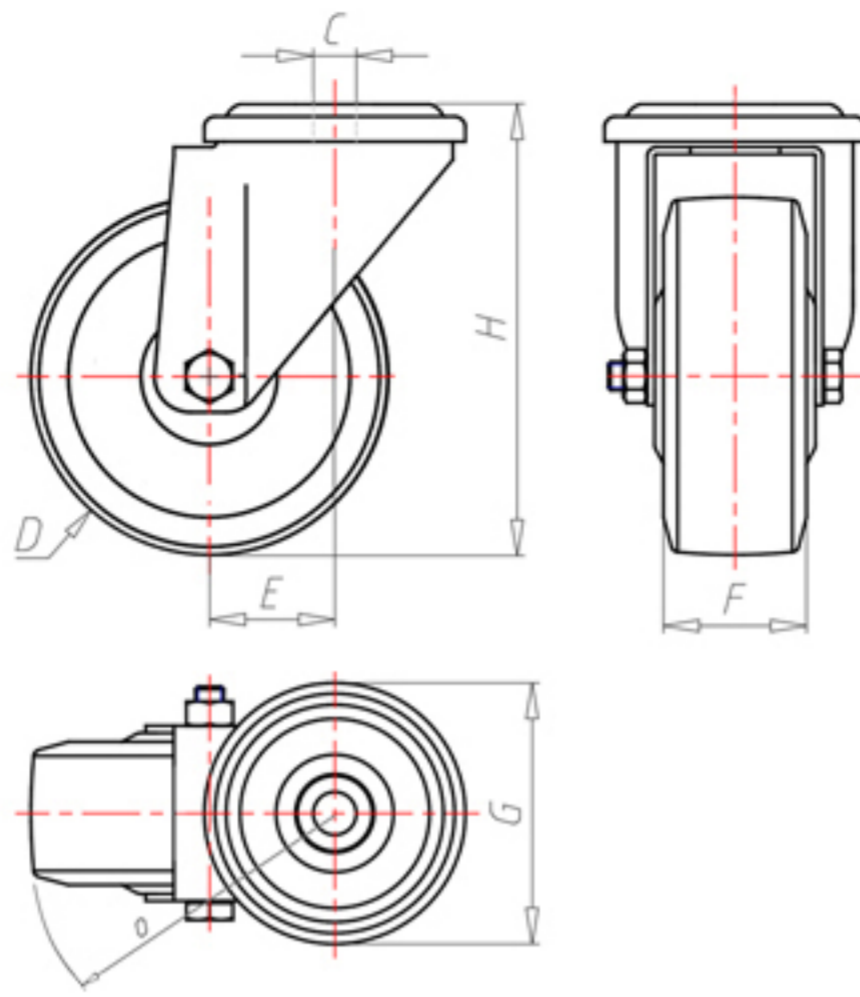


**DITHERM
XTW**

+400°C
-50°C

INOX



| | | |
|--|----|------|
| | D | 100 |
| | F | 35 |
| | H | 128 |
| | G | Ø 77 |
| | C | Ø 12 |
| | E | 42 |
| | O | 92 |
| | LC | 220 |



Code for plain bore wheel

XPX100



Code for wheel with coated bush

XPX100BR



Code for wheel with double BT self-lube bush

XPX100BT



Code for wheel with double HT ball bearing

XPX100C

