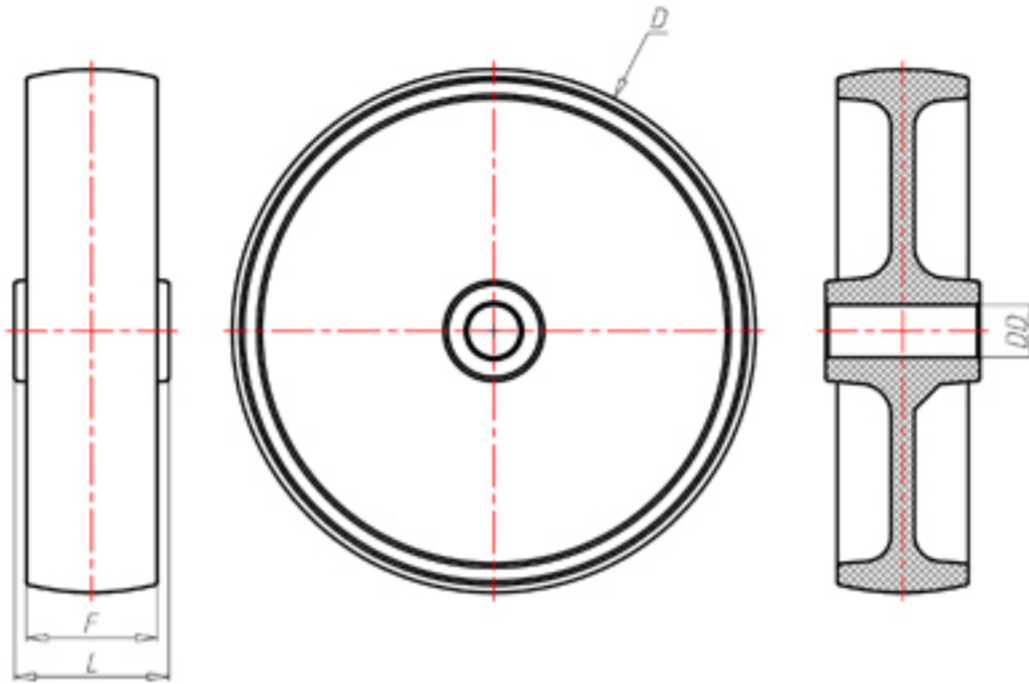




+280°C
-70°C



	D	150
	F	40
	L	45
	DD	Ø 15
	LC	650



Code for plain bore wheel

STW15045



Code for wheel with coated bush

-



Code for wheel with double BT self-lube bush

-



Code for wheel with double HT ball bearing

-



Code wheel with double sintered bronze bush

-

