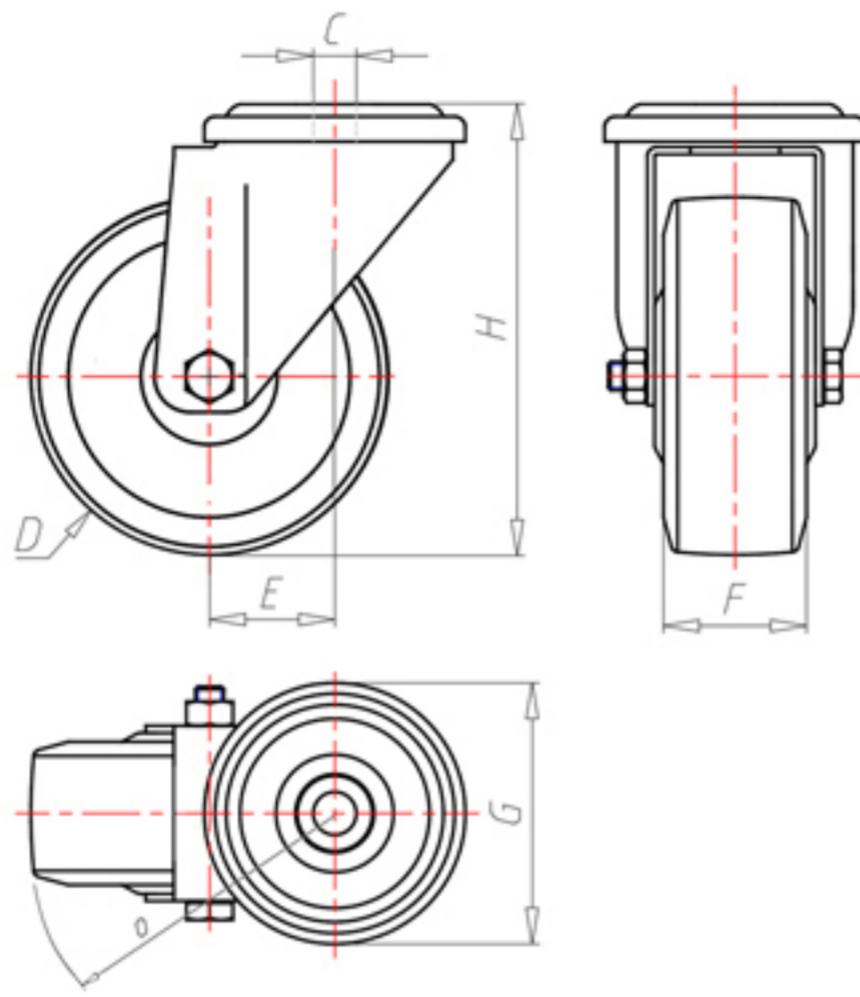


**DITHERM
STW**

+280°C
-70°C

INOX



	D	100
	F	30
	H	128
	G	Ø 77
	C	Ø 12
	E	42
	O	92
	LC	220



Code for plain bore wheel

SPX100



Code for wheel with coated bush

SPX100BR



Code for wheel with double BT self-lube bush

SPX100BT



Code for wheel with double HT ball bearing

SPX100C

