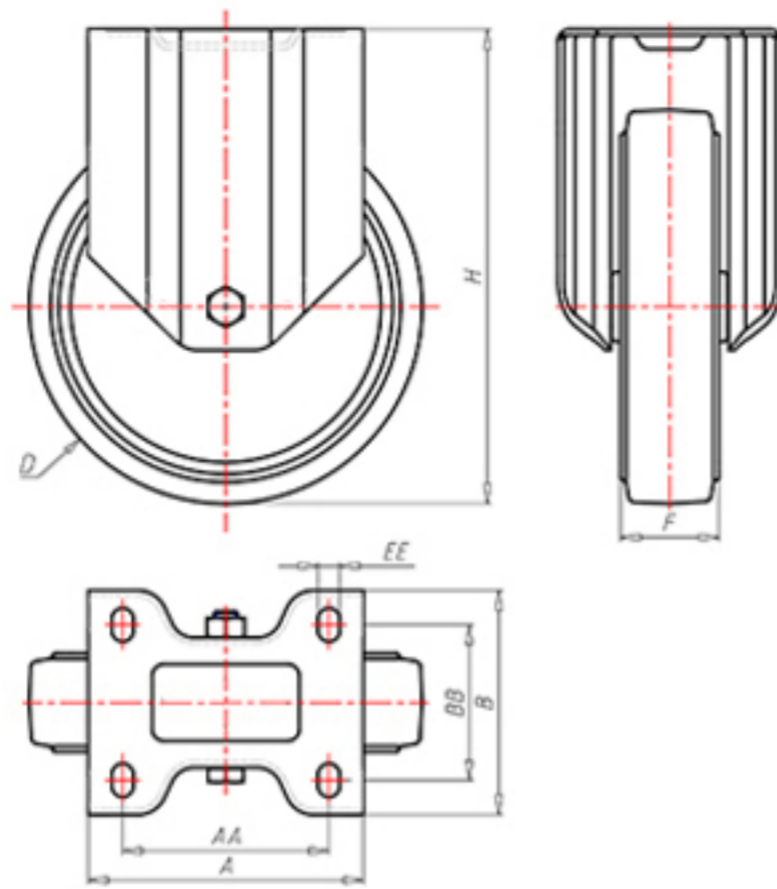


**DITHERM  
STW**

+280°C  
-70°C

**INOX**



	D	125
	F	40
	H	155
	AxB	100x85
	AAxBB	80x60
	EE	9
	LC	260



Code for plain bore wheel

**SFX12545**



Code for wheel with coated bush

**SFX12545BR**



Code for wheel with double BT self-lube bush

-



Code for wheel with double HT ball bearing

-

