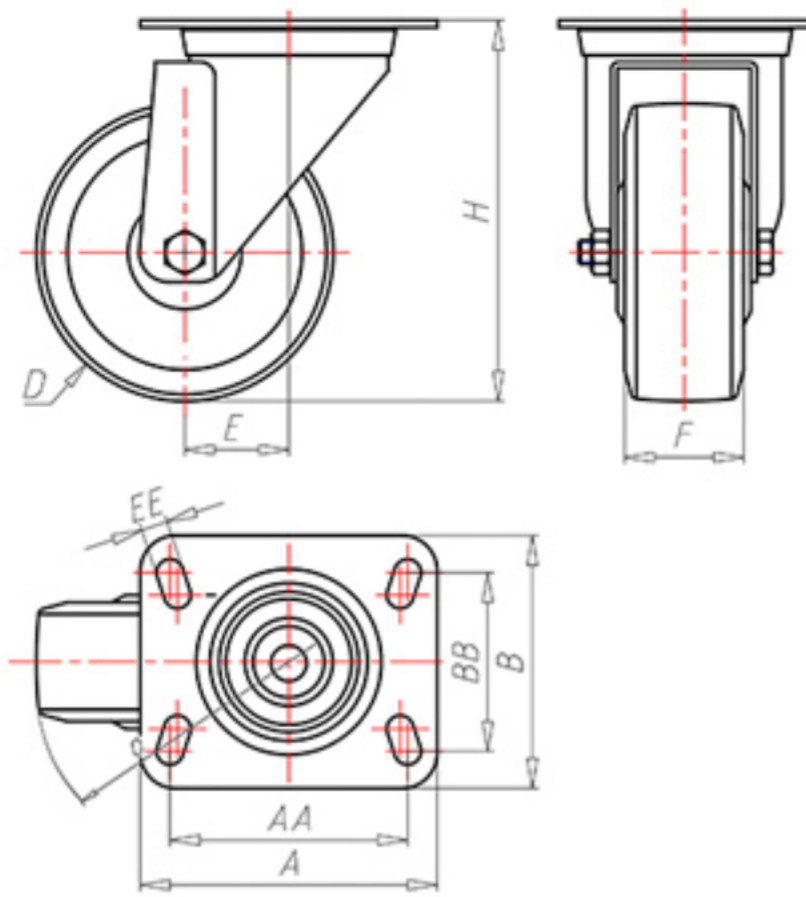


**DITHERM
RHT**

+260°C
-40°C

INOX



| | | |
|--|-------|--------|
| | D | 100 |
| | F | 30 |
| | H | 128 |
| | AxB | 100x85 |
| | AAxBB | 80x60 |
| | EE | 9 |
| | E | 42 |
| | O | 92 |
| | LC | 120 |



Code for plain bore wheel

RGX100



Code for wheel with coated bush

RGX100BR



Code for wheel with double BT self-lube bush

RGX100BT



Code for wheel with double HT ball bearing

RGX100C

