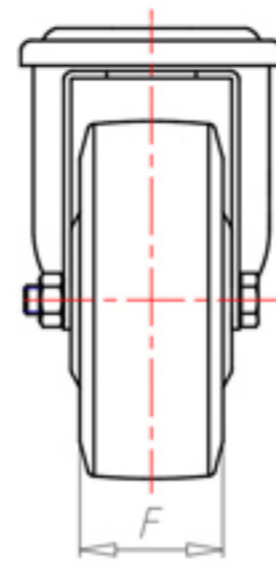
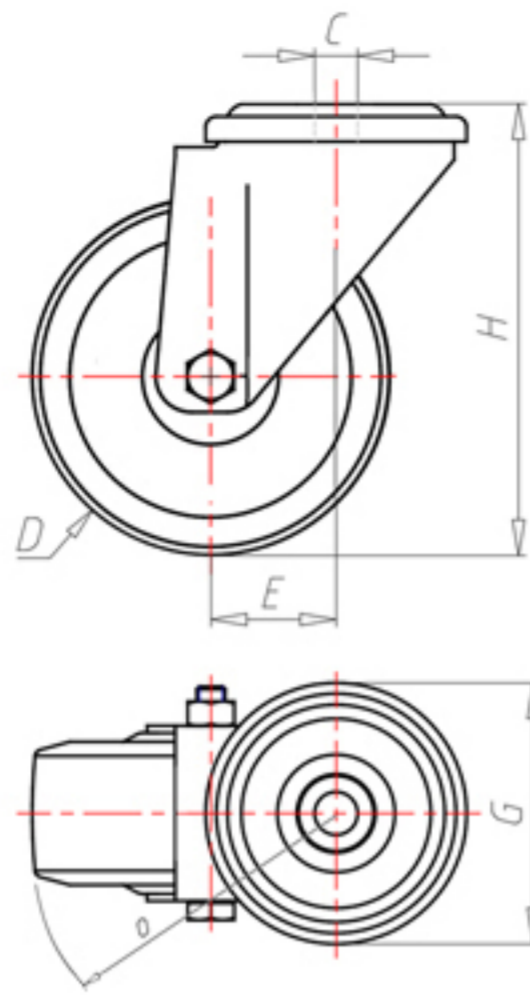


**DITHERM
MTW**

+300°C
-40°C

INOX



	D	125
	F	40
	H	155
	G	Ø 77
	C	Ø 12
	E	44
	O	107
	LC	230



Code for plain bore wheel

MPX12545



Code for wheel with coated bush

MPX12545BR



Code for wheel with double BT self-lube bush

MPX12545BT



Code for wheel with double HT ball bearing

-



Code wheel with double sintered bronze bush

-

