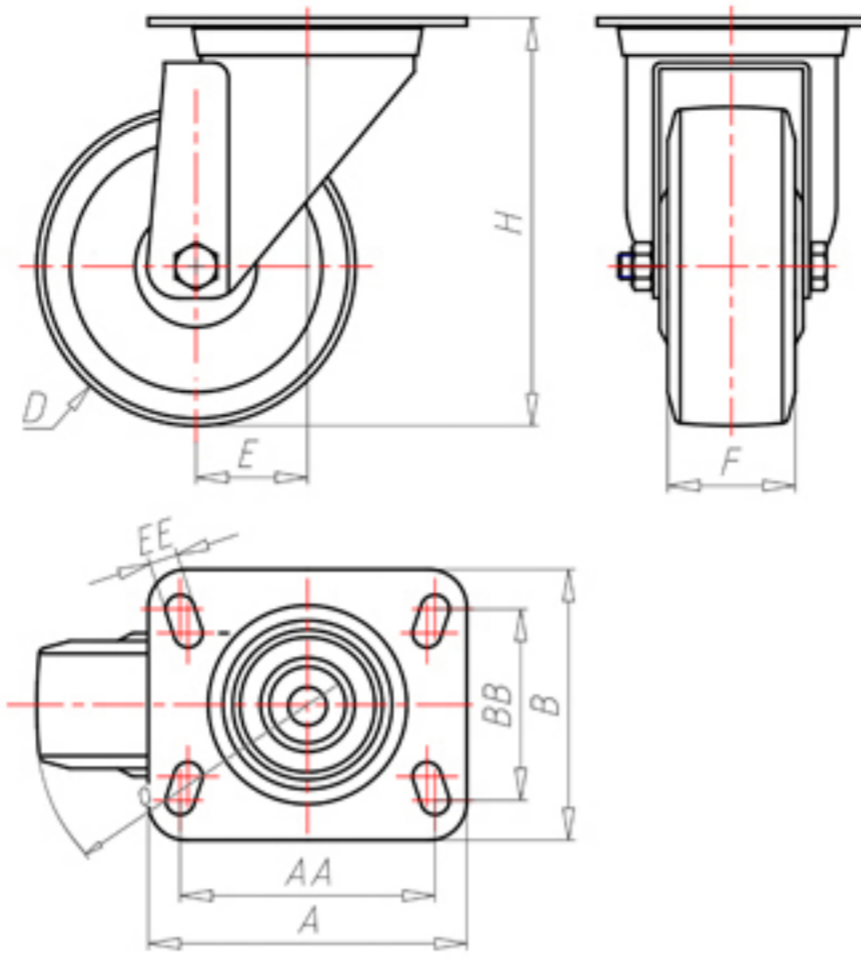


**DITHERM
MTW**

+300°C
-40°C



	D	80
	F	35
	H	108
	AxB	100x80
	AAxBB	80x60
	EE	9
	E	40
	O	82
	LC	170



Code for plain bore wheel

MGZ80



Code for wheel with coated bush

MGZ80BR



Code for wheel with double BT self-lube bush

MGZ80BT



Code for wheel with double HT ball bearing

MGZ80C



Code wheel with double sintered bronze bush

MGZ80BS

