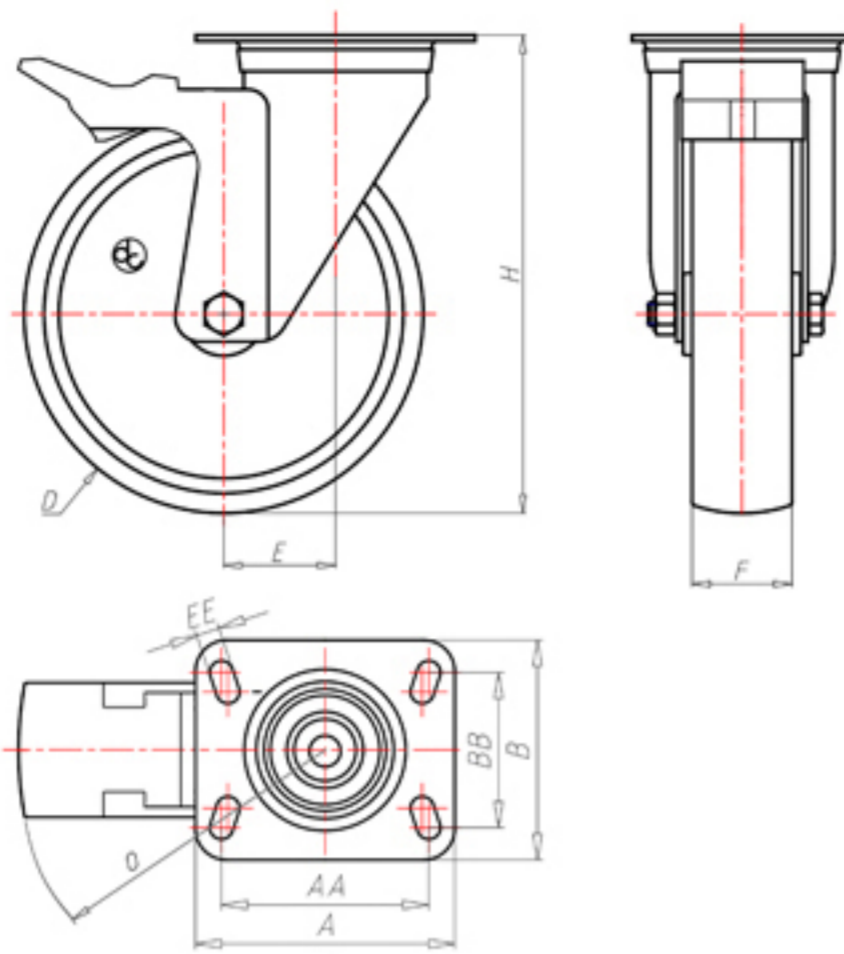


**DITHERM
MTW**

+300°C
-40°C

INOX



	D	100
	F	35
	H	128
	AxB	100x80
	AAxBB	80x60
	EE	9
	E	42
	O	124
	LC	210



Code for plain bore wheel

MGX100FS



Code for wheel with coated bush

MGX100BRFS



Code for wheel with double BT self-lube bush

MGX100BTFS



Code for wheel with double HT ball bearing

MGX100CFS



Code wheel with double sintered bronze bush

-

