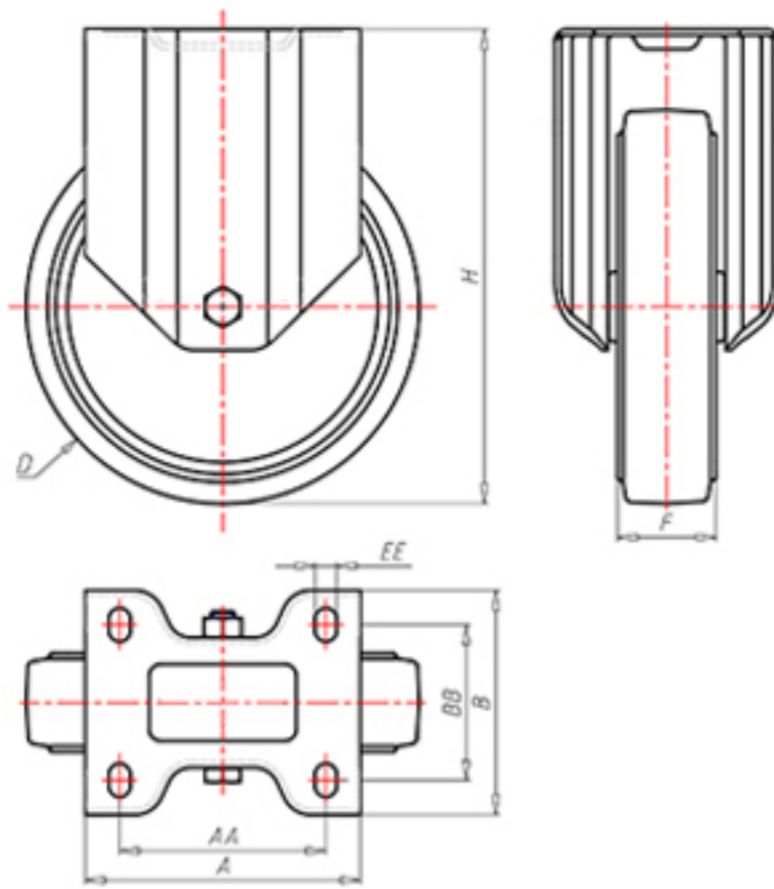


**DITHERM  
MTW**

+300°C  
-40°C



	D	100
	F	35
	H	128
	AxB	100x85
	AAxBB	80x60
	EE	9
	LC	190



Code for plain bore wheel

**MFZ100L**



Code for wheel with coated bush

**MFZ100LBR**



Code for wheel with double BT self-lube bush

**MFZ100LBT**



Code for wheel with double HT ball bearing

-



Code wheel with double sintered bronze bush

**MFZ100LBS**

